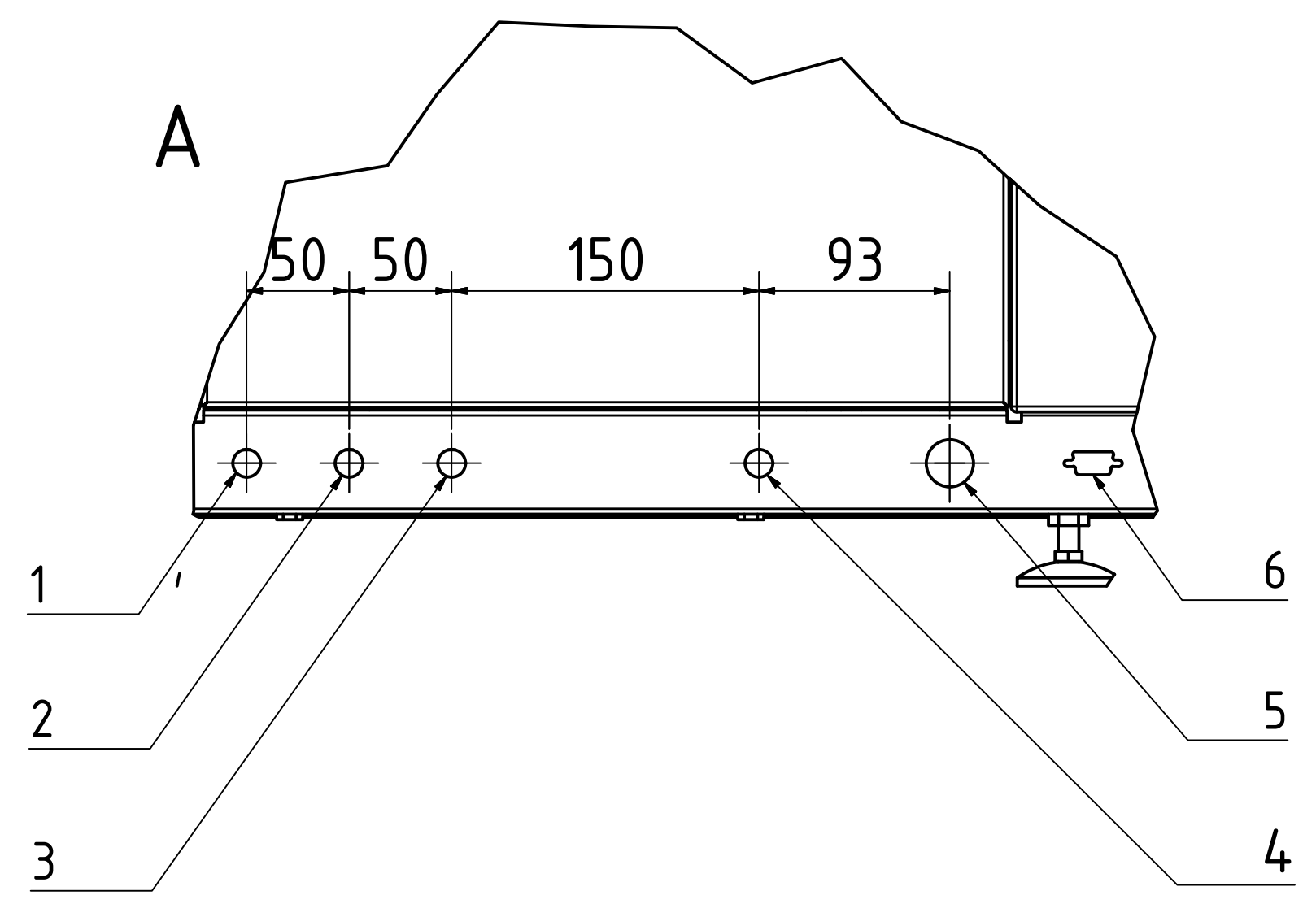
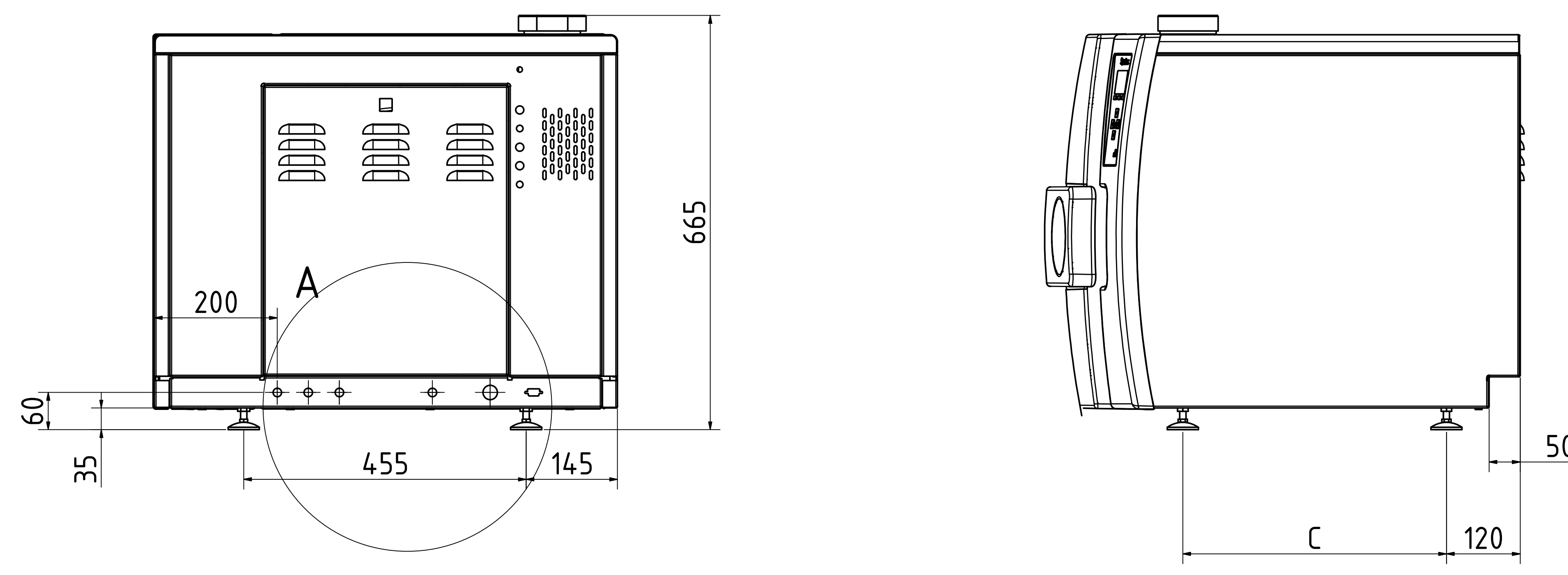
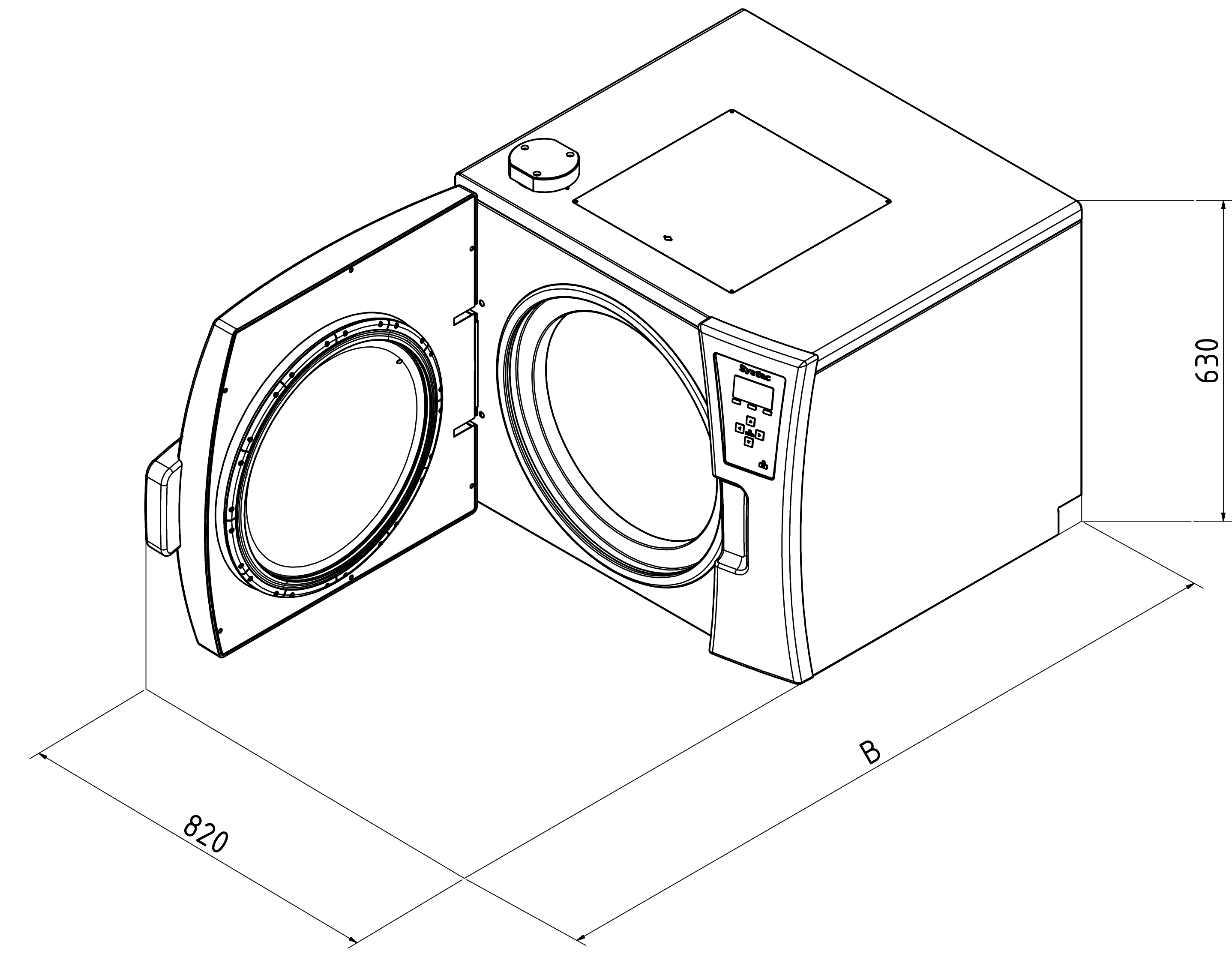
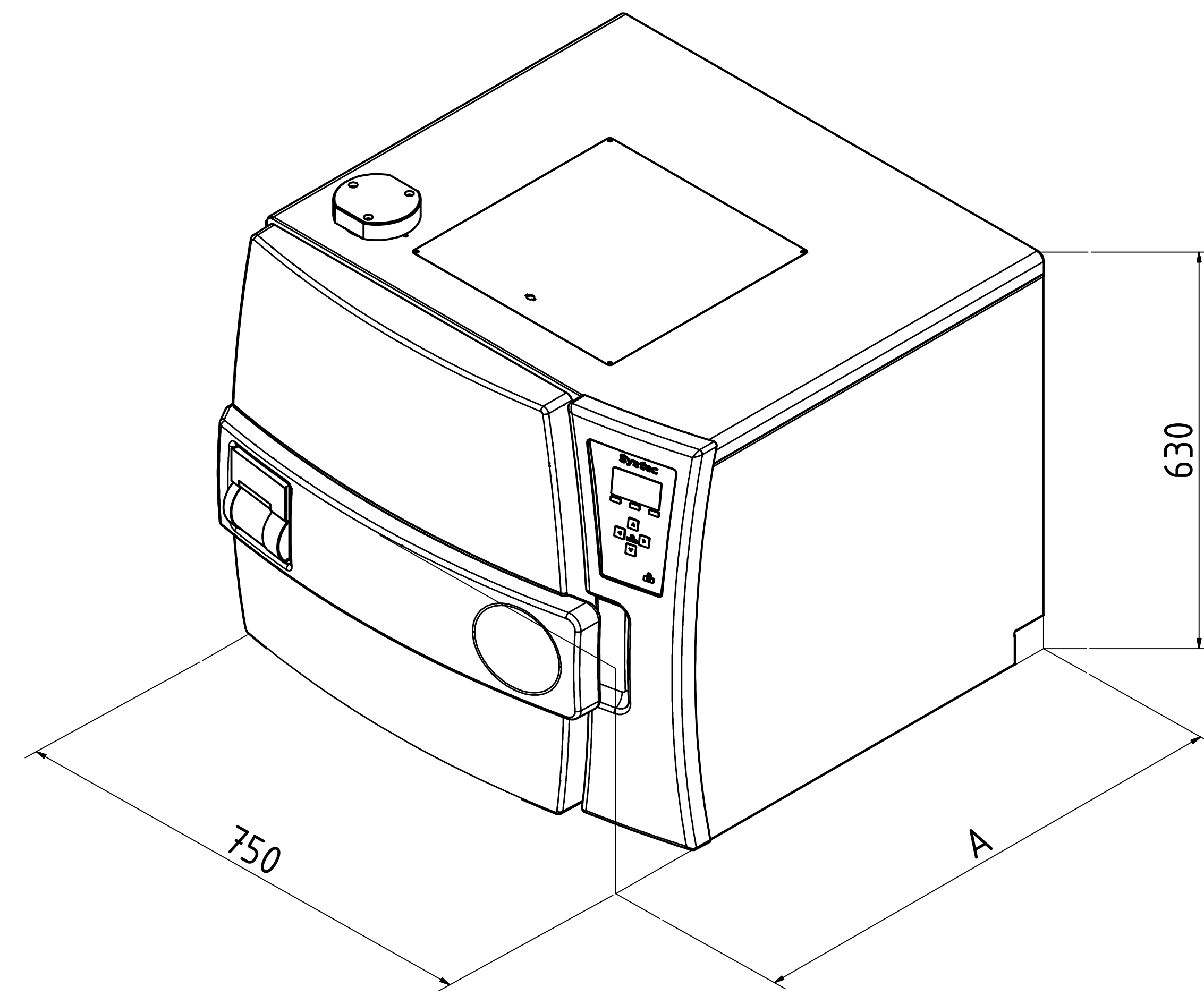


Systemec D-65 / D-90



Technical data						
No.	Description	Size	DX	DE	DB	Comments
1	Tap water*	3/4" ET	X	X	--	≥ 1bar water pressure Σ alkaline earth ions ≤ 2,0 mmol/l, conductivity max. 300 µS/cm, 11°dH, 200mg/l CaCO3
2	Demineralized water*	3/4" ET	X	X	--	≥ 1bar water pressure Σ alkaline earth ions < 0,02 mmol/l, conductivity: 0,1 - 15 µS/cm
3	Compressed air	NW 7,2	0	0	--	min. 3-10bar / 50l/min., ≤ Class 4 according to DIN ISO 8573, Only with "water cooling with support pressure"
4	Drain	3/4" ET	X	X	X	Systemec DX and Systemec DE Temperature-resistant installation (103°C in case of failure) Temperature is controlled at 70°C (settable) Systemec DB Temperature-resistant installation up to 103°C No controlled temperature, Drain height max. ≤ 40cm above the floor
5	Power supply* ²		X	X	X	3x400V+N+PE / 50/60Hz / 16 Ampere / CEE socket
6	Interface		X	X	--	RS-232 / RS-485 (Ethernet network and USB compatible)

	Art.No.: DX	Art.No.: DE	Art.No.: DB	A	B	C	Heat emission	Net weight	Test weight* ³
Systemec D-65	2065	1565	1920	770	1280	425	<600 Watt/h	125 kg	195 kg
Systemec D-90	2090	1590	1930	970	1480	625	<700 Watt/h	145 kg	240 kg

X = Standard 0 = Optional -- = Not Available Length dimensions in mm

- * Other media connections available on request
- *² Other voltages and single-phase available on request
- *³ Test weight: chamber completely filled with water for pressure test

Contact area of the feet: 1963.5mm² per foot - Total 7854mm² for 4 pieces (Ø50mm)

General tolerance ISO 2768 T1-m	Surface Ra 0,25/0,125	Material Zn-Al	Scale 1:1	Weight
ISO 2768 T1-m	Surface Ra 0,25/0,125	Material Zn-Al	Scale 1:1	Weight
Systemec D-Ø400			Rev.: 1	1 A0
Systemec the exclusive company			Zng.-Nr.: AZ 2065 EN	Rev.: 1